

WATER METER BRASS ANGLE BALL VALVE FOR PE PIPE FREE NUT BSP ACS LEAD FREE

Water meter brass angle ball valve for PE pipe with DECA fitting 4MS, ACS with brass handle 1/3-2/3 for drinking water and water distribution.

Free nut for an easy installation with plumbing hole for a safety network and avoid frauds.

PTFE packing and seat, EPDM O-ring for the DECA fitting.

Installation on pipe without dismantling coupling.

French water agreement (ACS) for drinking water.



Size : DN20-3/4" to DN50-2"

Connection : DECA fitting-Free nut BSP

Min Temperature : +4°C

Max Temperature : +40°C

Max Pressure : 20 Bars up to DN32, 16 bars over

Specifications : Before or after water meter

PTFE packing

With free nut and DECA fitting

Anti blow-out stem from DN40 to DN50

Materials : Brass body CW510L-4MS according to EN12165

WATER METER BRASS ANGLE BALL VALVE FOR PE PIPE FREE NUT BSP ACS LEAD FREE

SPECIFICATIONS :

- Before or after water meter
- Lead free CW510L-4MS
- PTFE packing
- Anti blow-out stem from DN40 to DN50
- Solid ball
- With free nut and DECA fitting
- Plumbinb hole on free nut
- Brass handle 2/3-1/3
- Possible with locking device for DN3/4" (**Ref. 9810404**)

USE :

- Water distribution
- Min Temperature Ts : + 4°C
- Max Temperature Ts : + 40°C
- Max Pressure Ps : 20 bars up to DN32, 16 bars over

RANGE :



- Angle Ball Valve with free nut BSP / DECA fitting brass handle 2/3-1/3 **Ref. 659** from DN20-3/4" to DN50-2"

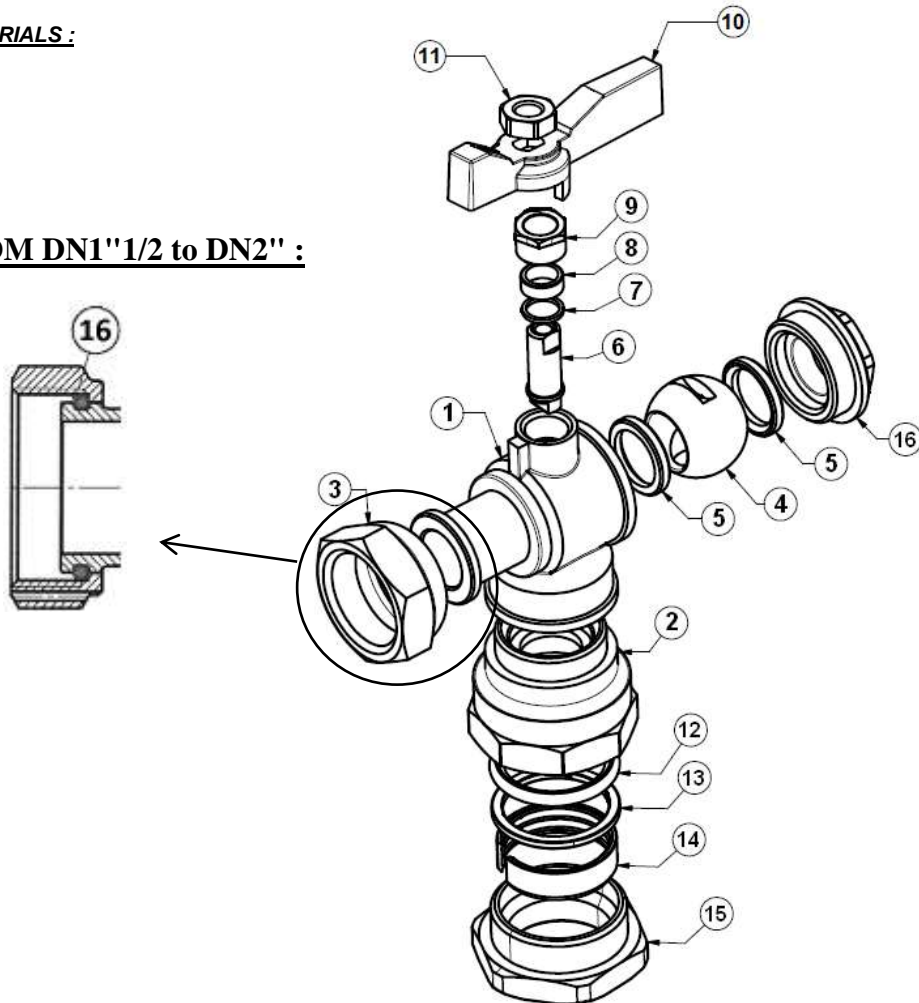


- Locking device SFERALOCKING (without valve) **Ref. 9810404 (for DN3/4")**
- Passkey for locking device SFERALOCKING **Ref. 9810403**

WATER METER BRASS ANGLE BALL VALVE FOR PE PIPE FREE NUT BSP ACS LEAD FREE

MATERIALS :

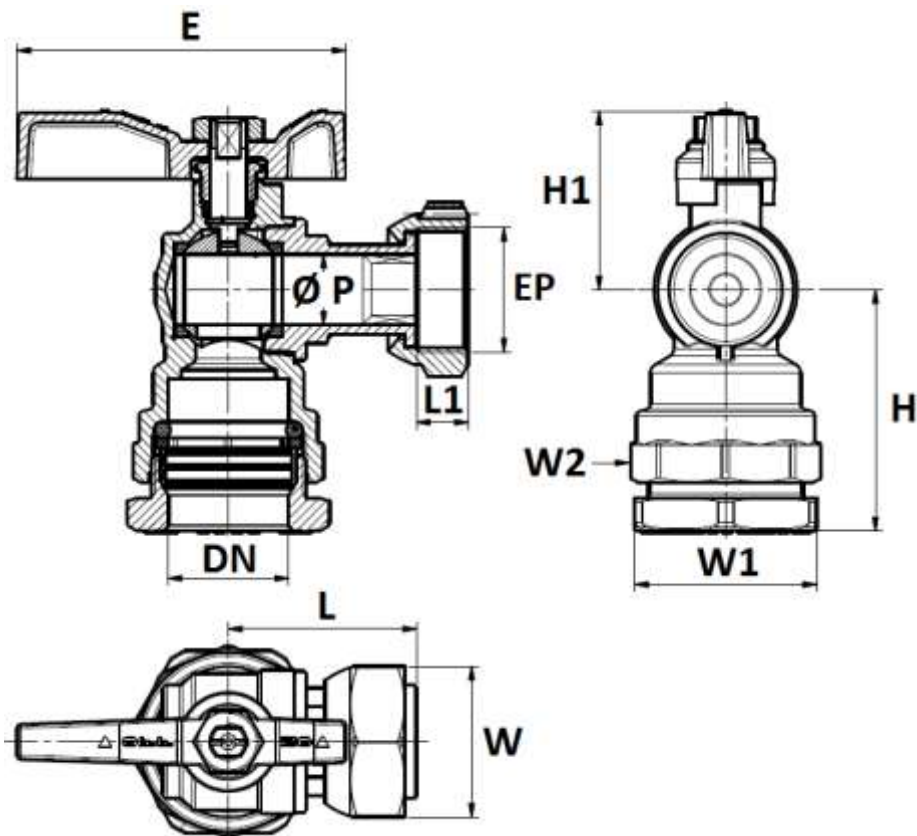
FROM DN1"1/2 to DN2" :



Item	Designation	Materials
1	Body	Brass CW510L-4MS according to EN 12165
2	Bonnet	
3	Free nut	Brass CW612N according to EN 12168
4	Ball	Chromed brass CW617N-4MS according to EN 12165
5	Seat	PTFE
6	Stem	Brass CW617N-4MS according to EN 12164
7	Ring	
8	Packing	PTFE
9	Packing nut	Brass CW617N-4MS according to EN 12164
10	Handle	Brass UNI EN 1982 CB754S
11	Handle nut	Brass UNI EN 5589 Geomet 321 coated
12	O-ring	EPDM
13	Ring	Brass CW617N-4MS according to EN 12164
14	Tightening ring	
15	Nut	
16	Stop ring (from DN1"1/2 to DN2")	AISI 302

WATER METER BRASS ANGLE BALL VALVE FOR PE PIPE FREE NUT BSP ACS LEAD FREE

SIZE (in mm) :



DN	20	25	25	32	32	40	50	50
EP	3/4"	3/4"	1"	3/4"	1"	1"1/2	1"1/2	2"
Ø P	15	15	20	15	20	32	32	40
L	40	40	57	40	57	82	82	82
L1	11	11	11	11	11	12	12	14
E	70	70	70	70	70	105	105	105
H	62	51	54.2	67.3	72.3	88	89.5	89.5
H1	38	38	44	38	41.5	72.2	72.2	72.2
W (on flat)	32	32	37	32	37	52	52	64
W1 (on flat)	33	39	39	48	48	58	69	69
W2 (on flat)	30		38	47	47	69	69	69
Weight (in Kg)	0.41	0.38	0.59	0.51	0.7	2.09	1.87	2
Ref.	659520	659525	659625	659532	659632	659840	659850	659950

WATER METER BRASS ANGLE BALL VALVE FOR PE PIPE FREE NUT BSP ACS LEAD FREE

STANDARDS :

- Manufacturer certified ISO 9001 : 2015
- DIRECTIVE 2014/68/EU : Products excluded from directive (Article 1, § 2b)
- French water agreement **A.C.S. N° 22 ACC LY 833**
- Threaded BSP cylindrical female ends according to ISO 228-1

ADVICE : Our opinion and our advice are not guaranteed and SFERACO shall not be liable for the consequences of damages.
The customer must check the right choice of the products with the real service conditions.